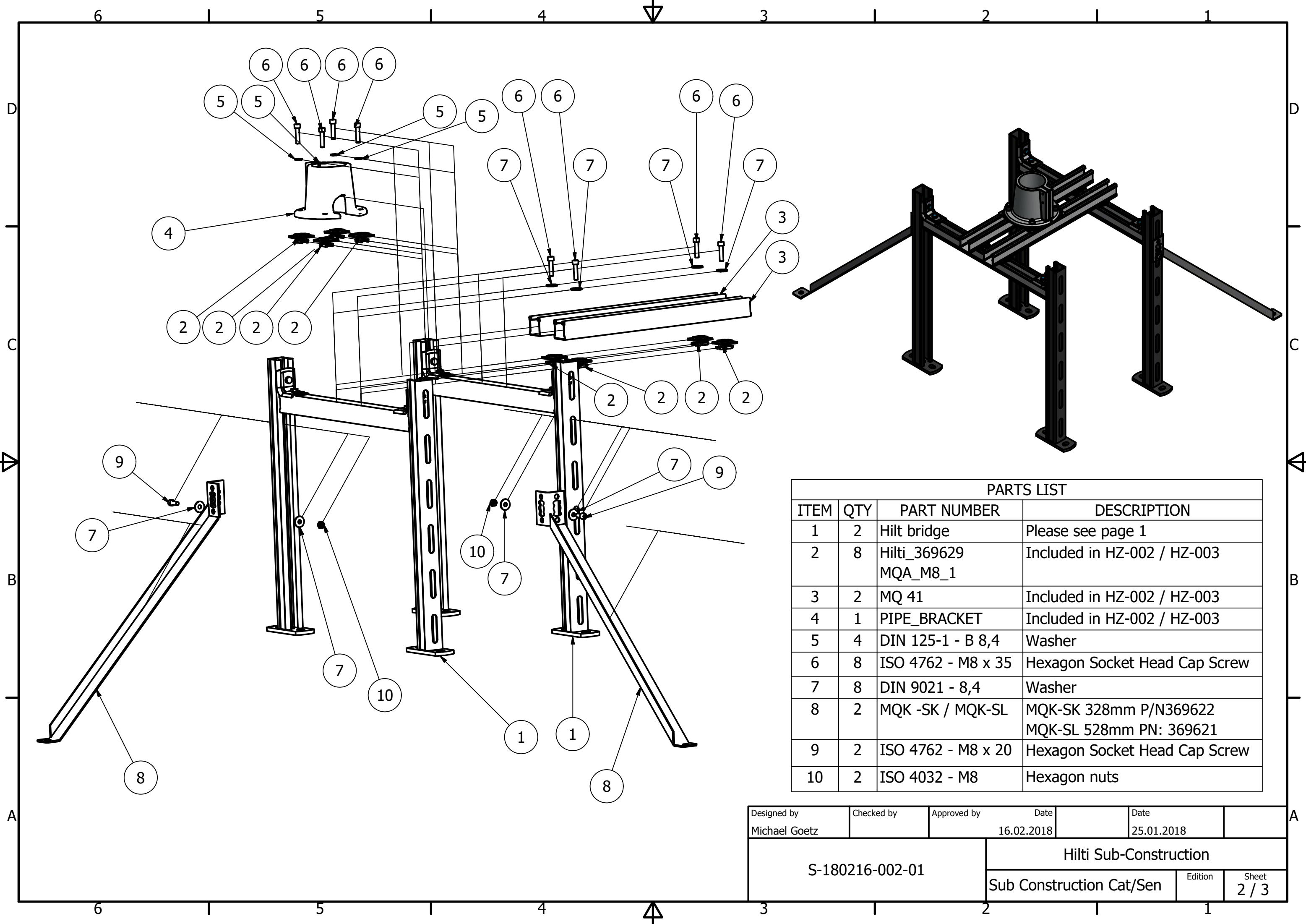


Hilti Console MQ41 (Item 2)		
Description	Length	P/N Hilti
MQ41/300	300mm	369609
MQ41/450	450mm	369610
MQ41/600	600mm	369611
MQ41/1000	1000mm	369612

PARTS LIST			
ITEM	QTY	PART NUMBER	DESCRIPTION
1	1	MQ 41	Included in pre Install Kit HZ-002 / HZ-003
2	2	Hilti_Console MQ41	Please provide needed length (see table)
3	2	Hilti369655_two hole angle MQW_Q2	

Designed by Michael Goetz	Checked by	Approved by	Date 16.02.2018	Date 25.01.2018	
S-180216-002-01			Hilti Sub-Construction		
			Sub Construction Cat/Sen	Edition	Sheet 1 / 3



PARTS LIST			
ITEM	QTY	PART NUMBER	DESCRIPTION
1	2	Hilt bridge	Please see page 1
2	8	Hilti_369629 MQA_M8_1	Included in HZ-002 / HZ-003
3	2	MQ 41	Included in HZ-002 / HZ-003
4	1	PIPE_BRACKET	Included in HZ-002 / HZ-003
5	4	DIN 125-1 - B 8,4	Washer
6	8	ISO 4762 - M8 x 35	Hexagon Socket Head Cap Screw
7	8	DIN 9021 - 8,4	Washer
8	2	MQK -SK / MQK-SL	MQK-SK 328mm P/N369622 MQK-SL 528mm PN: 369621
9	2	ISO 4762 - M8 x 20	Hexagon Socket Head Cap Screw
10	2	ISO 4032 - M8	Hexagon nuts

Designed by Michael Goetz	Checked by	Approved by	Date 16.02.2018	Date 25.01.2018
S-180216-002-01		Hilti Sub-Construction		
		Sub Construction Cat/Sen	Edition	Sheet 2 / 3

Document ID	S-180216-002
Version	01
Issued by	Michael Goetz

	Signature	Name/Position	Date
Reviewed			
Approved			

Ref.	Document ID	Description

REVISION HISTORY			
Zone	Version	Valid from	Comments
All	1	16.02.2018	New Release

Designed by Michael Goetz	Checked by	Approved by	Date 16.02.2018	Date 25.01.2018	
S-180216-002-01		Hilti Sub-Construction			
		Sub Construction Cat/Sen	Edition	Sheet 3 / 3	